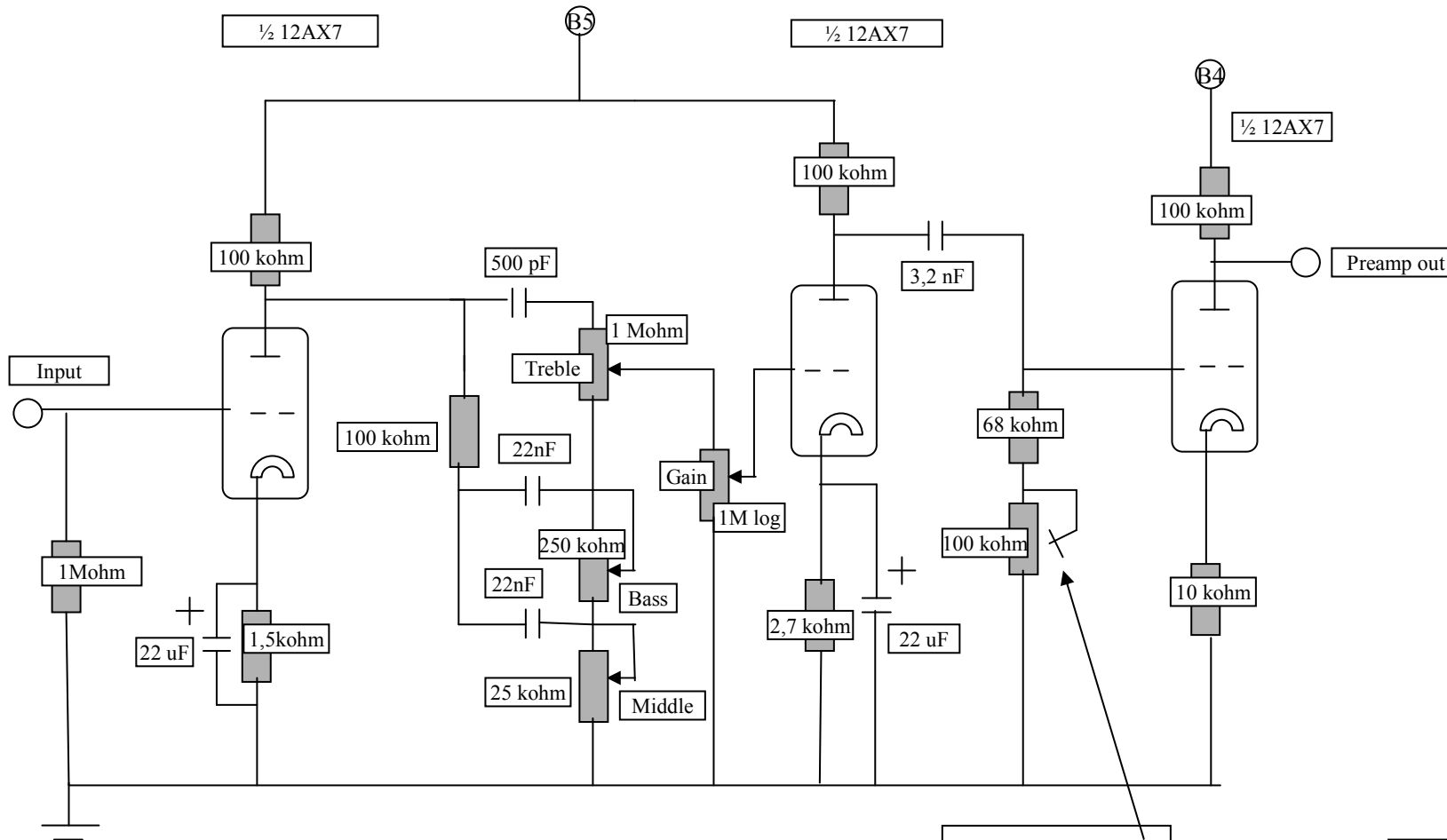


Bluetone Express

Preamp schematics

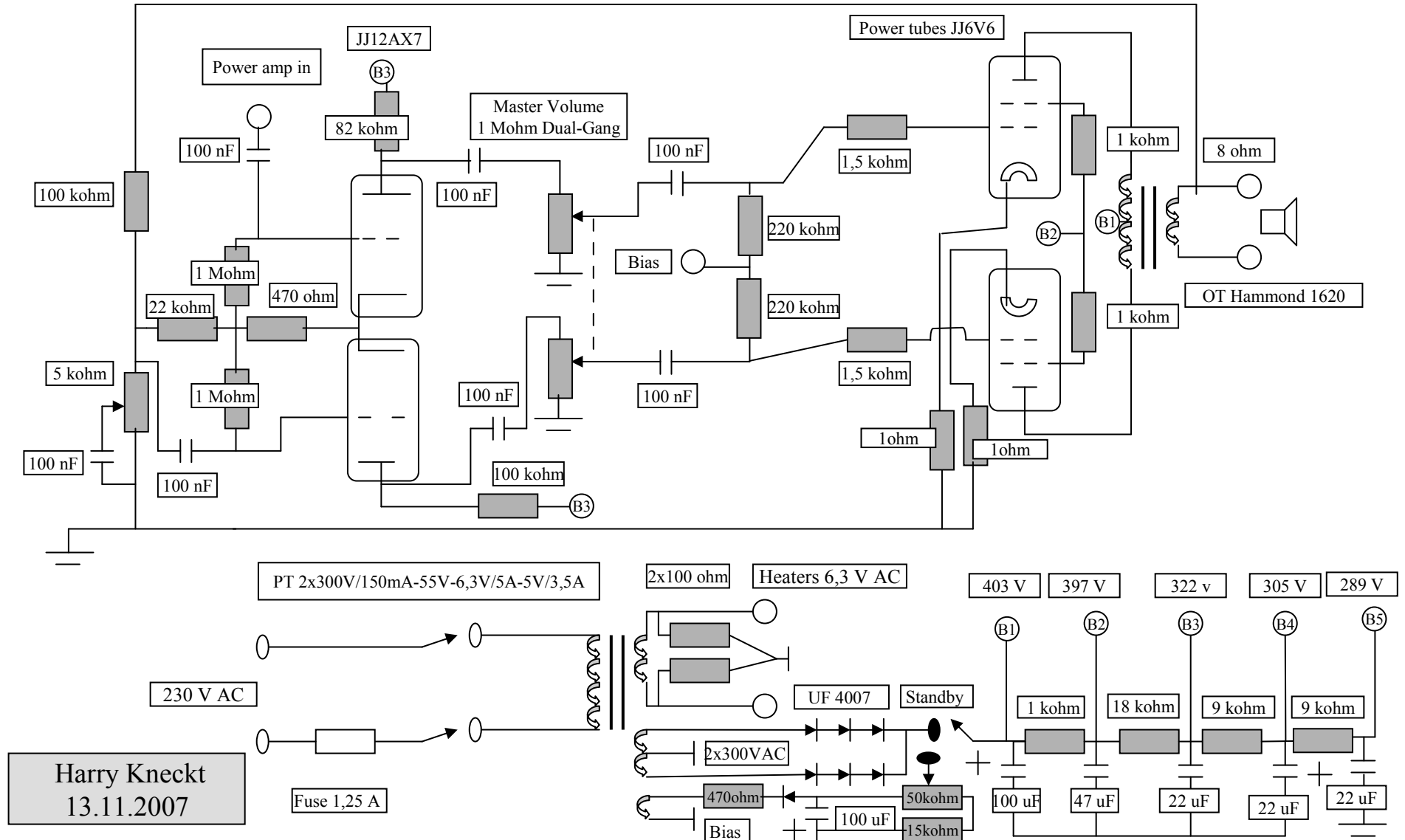


Total resistance
160 kohm

Harry Kneckt
13.11.2007

Bluetone Express

Power amp and power supply schematics



Harry Knecht
13.11.2007

Bluetone Express Voltage chart

V1(12AX7)

1= 194 V

3= 1,41V

6= 217 V

8= 1,90 V

V2(12AX7)

1= 271 V

3= 3,18 V

V3(12AX7)

1= 234 V

3= 55,0 V

6= 225 V

8= 55,0 V

V4(6V6)

3= 401 V

4= 396V

V5(6V6)

3= 401 V

4= 396 V

Harry Knecht

13.11.2007