

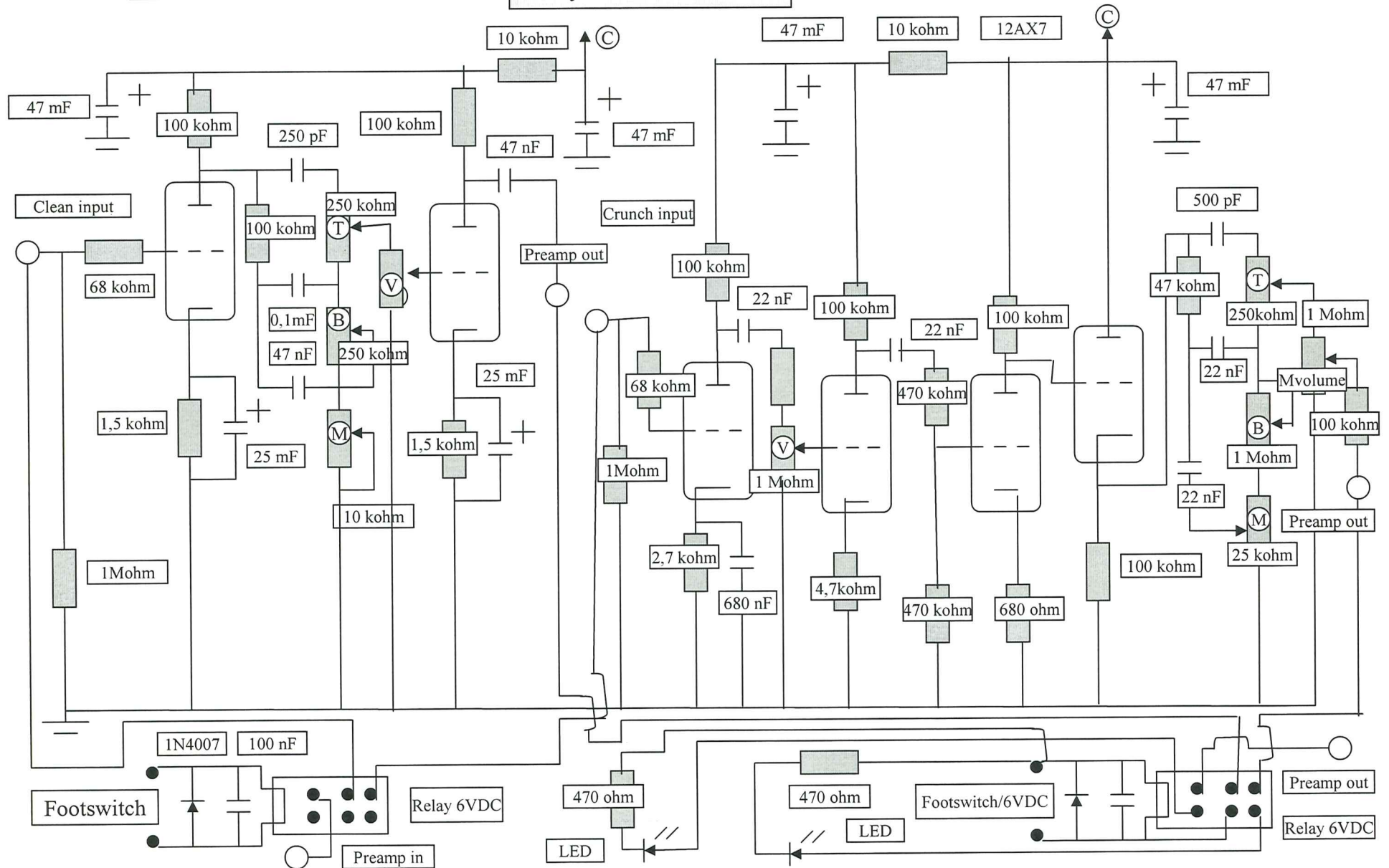
Bluetone Dusty Road

Preamp schematics

Clean ala Fender Twin

Harry Knecht 20.1.2008

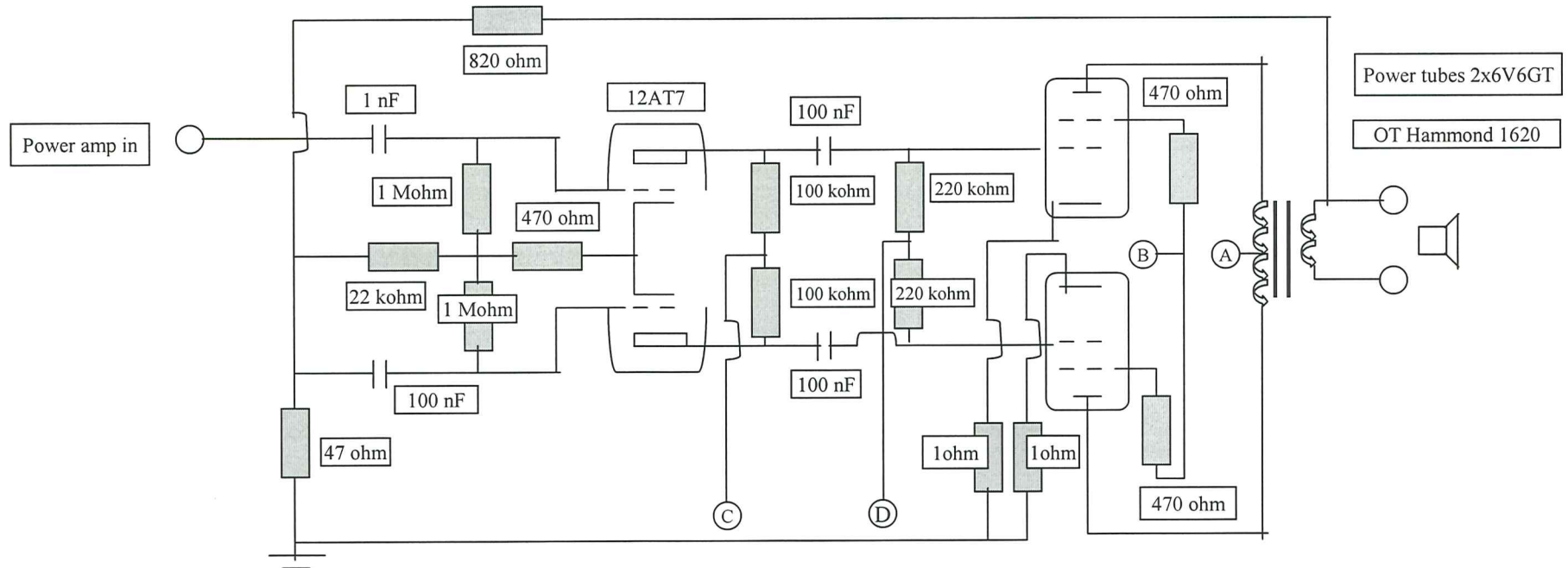
Crunch ala Marshall JCM800/2004



Bluetone Dusty Road

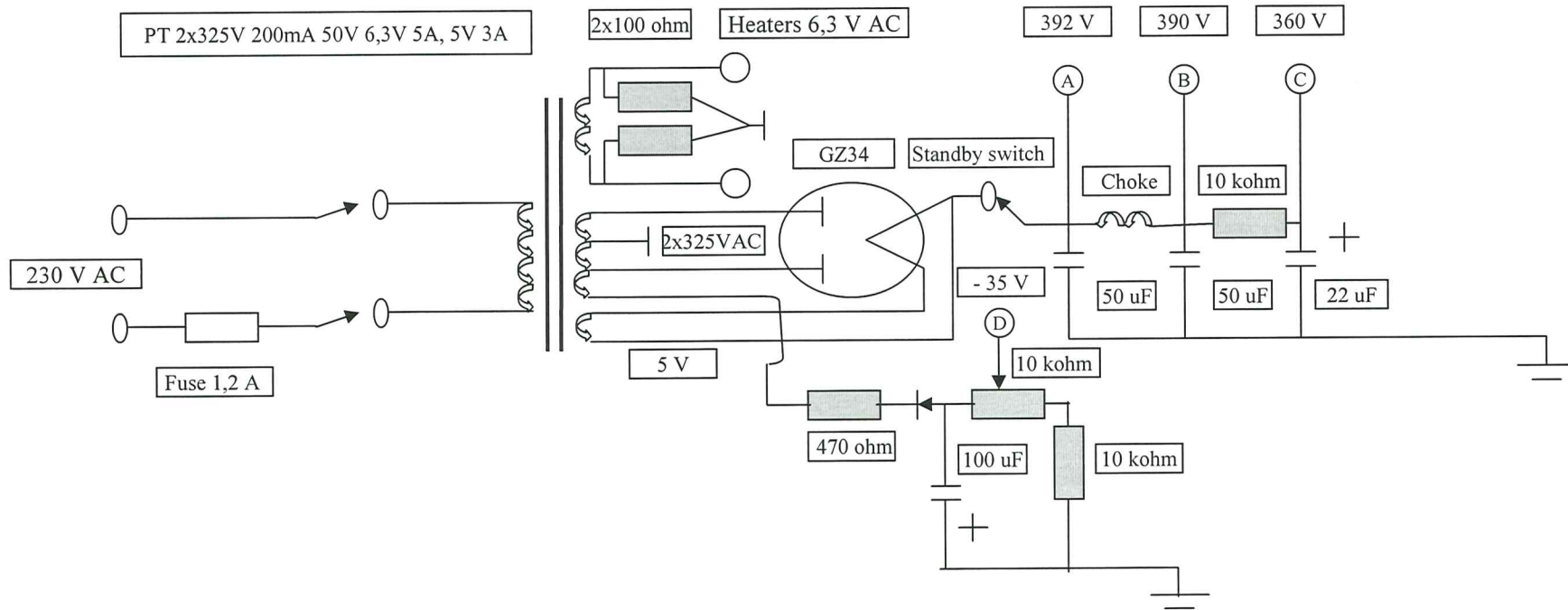
Power amp schematics

Power amp ala Fender Deluxe AA763



Harry Knecht
5.4.2007

Bluetone Dusty Road Power supply schematics



Bluetone Dusty Road

Voltage chart

Clean Pre amp

V1(12AX7)

1 = 249 V

3 = 2,11 V

6 = 249 V

8 = 2,14 V

Crunch Pre amp

V1(12AX7)

1 = 222 V

3 = 2,2 V

6 = 250 V

8 = 2,7 V

V2(12AX7)

1 = 174V

3 = 1,04V

6 = 326 V

8 = 175 V

Power amp

V1(12AT7)

1 = 187 V

3 = 70,1 V

6 = 181 V

8 = 70,1 V

V2(6V6GT)

3 = 397 V

4 = 397 V

8 = 19,7 mV

V3(6V6GT)

3 = 397 V

4 = 397 V

8 = 21,3 mV

Harry Knecht

5.4.2007